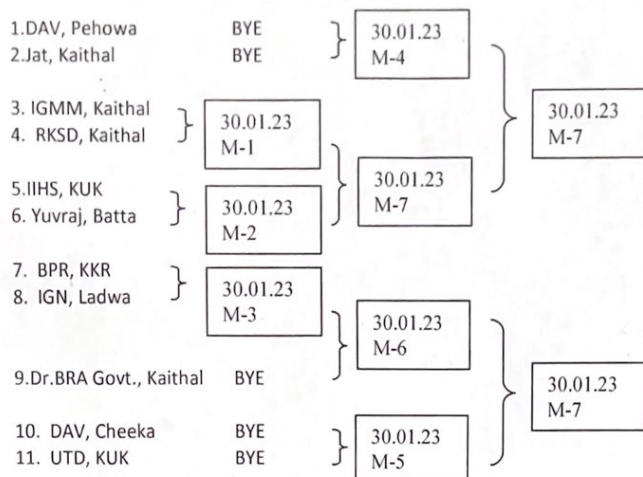


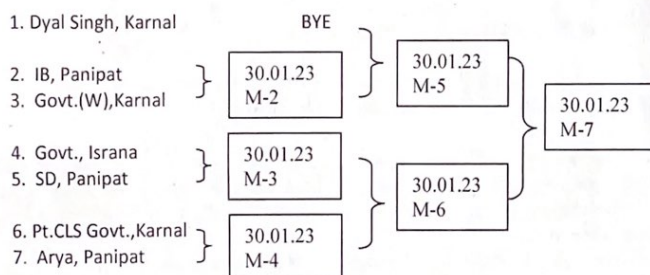
Kurukshetra University Sports Council
Fixture for K.U. Inter Collegiate Chess (Women) Championship 2022-23

Preliminary Round

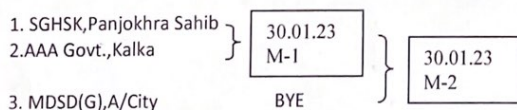
Zone:-Kurukshetra, Kaithal at IGN College, Ladwa



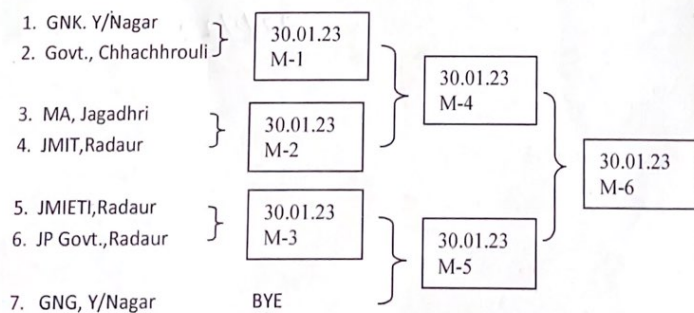
Zone:- Karnal, Panipat at Arya PG College, Panipat



Zone:- Ambala, Panchkula at SA Jain Ambala City



Zone:- Yamuna Nagar, Barwala at IGN College, Ladwa



- Note:-** 1. Match for final seeding of preliminary round will be played at Kurukshetra Uni., Kurukshetra.
 2. The lots for the seeding of preliminary round will be drawn at 09:00 AM Sharp on 01.02.23.
 3. manager/Coaches of the qualifying zone must attend the meeting for drown of lots

1.	}	01.02.23 (09:00AM)	}	01.02.23 (12:00 Noon)
2.	}			
3.	}		}	01.02.23 (09:00AM)
4.	}			

- The matches for PR 3 & PR 4 will be played between loser of match no. 1 & loser of match no, 2 at 12:00 Noon

Championship Round on 01.02.2023

Knock-out Matches

1.	SD, A/Cantt.	(LYW2)	V/S	PR 3	02:00 PM	A
2.	Arya (G), A/Cantt.	(LYW3)	V/S	PR 2	02:00 PM	B
3.	DBG Panipat	(LYW 4)	V/S	PR 1	04:00 PM	C
4.	MLN,Y/Nagar	(LYW 1)	V/S	PR 4	04:00 PM	D

Inter Zonal League matches will be played at Kurukshetra University, Kurukshetra as per following schedule.

1.	A	vs.	C	09:00 a.m.	}	02.02.23
2.	B	vs.	D	09:00 a.m.		
3.	A	vs.	D	12.00 Noon	}	02.02.23
4.	B	vs.	C	12.00 Noon		
5.	A	vs.	B	03:00 p.m.	}	02.02.23
6.	C	vs.	D	03:00 p.m.		

Note :- All teams all requested to report at the match venue at 9.00 am. Sharp.

Trials for the selection of University Chess (Women) team will be held at Kurukshetra University, Kurukshetra on 02.02.23. along with the Inter Collegiate Championships. 4:04.00 p.m.

- Teams must be accompanied by Managers along with the eligibility particulars, Identity Cards(meant for sports purposes), authority letter, copies of D.M.C. of Matric and 10+2 duly signed/attested by the Principal/Head of the Institution. The team shall not be allowed to participate without the above said documents. Teams must be in their proper dress.
- Organizing Secretary is authorized to change the timing (s) of the match(es) if needed in view of local situation, under intimation to this office.
- In case of any protest during the tournament against any player (s)/Team (s) of a College, the Organizing Secretary of the Tournament will arrange a photograph of the Player (s)/Team (s), in addition to other procedure followed in case of a protest.

Director, Phy. Edu. & Sports
& Secretary, KUSC

Endst. No. Sports/23/ 248

Dated 27/1/23

Copy of the fixtures forwarded to the following for information/ necessary action:-

1. President, K.U. Sports Council
2. Principals of the Colleges concerned.
3. Members of the K.U. Chess Club Committee.

Director, Phy. Edu. & Sports
& Secretary, KUSC