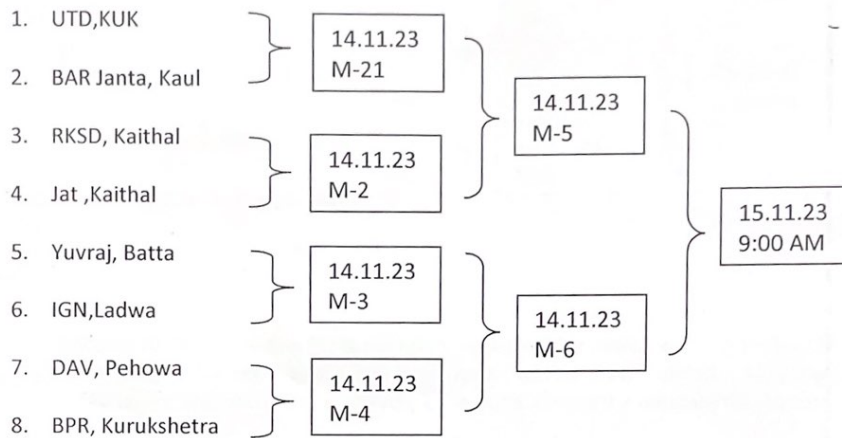
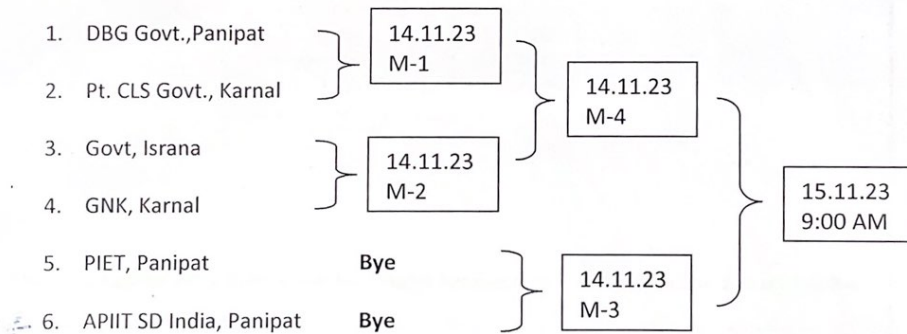


KURKSHETRA UNIVERSITY SPORTS COUNCIL
Fixture for Kurukshetra University Inter Collegiate Badminton (Men) Championship 2023-23
Preliminary Round

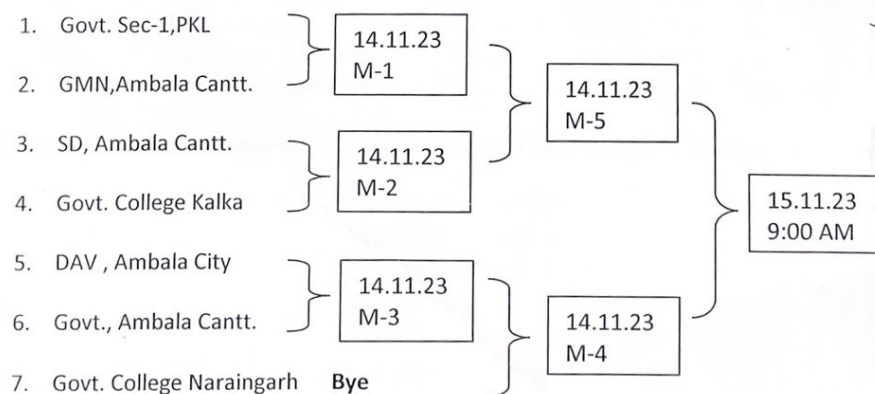
Zone:- Kurukshetra, Kaithal at RKSD, Kaithal



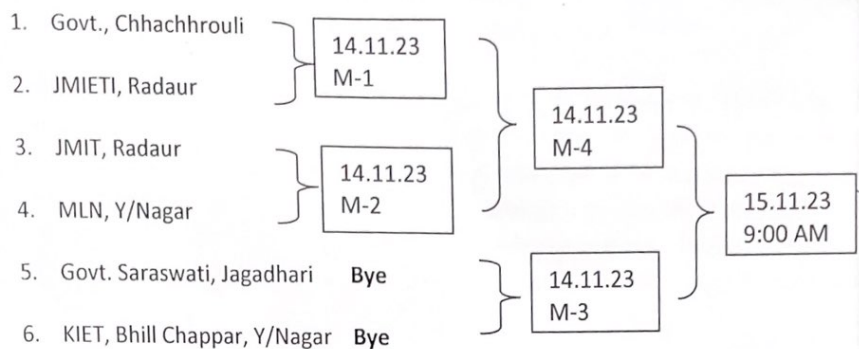
Zone:- Karnal, Panipat at Arya, Panipat



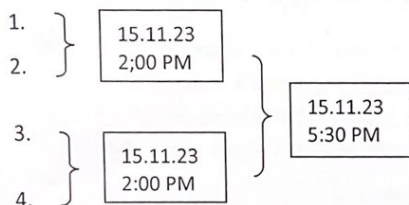
Zone:- Ambala, Panchkula at SD, Ambala Cantt.



Zone:- Yamuna Nagar, Barwala at MLN, Yamuna Nagar



- Note:-**
- 1.Match for final seeding for preliminary round will be played at Kurukshetra Uni. Kurukshetra.
 2. The lots for the seeding of preliminary round will be Drawn at 1:00 PM Sharp on 15.11.2023
 3. Manager/Coaches of the qualifying Zone must Attend the meeting for drown of lots.



- The matches for PR 3 & PR 4 will be played between loose of match No. 1 & match No. 2 at 4:00 PM on 15.11.23

Championship Round

Knock-Out Matches

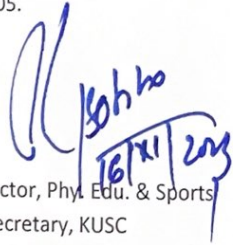
1.	Arya PG, Panipat	(LYW 2)	V/S	PR 3	16.11.2023	A	8:00 AM
2.	GNK, Y/Nagar	(LYW 3)	V/S	LY 2	16.11.2023	B	9:00 AM
3.	Dyal Singh, Karnal	(LYW 4)	V/S	PR 1	16.11.2023	C	10:00 AM
4.	SA Jain, Ambala City	(LYW 1)	V/S	PR 4	16.11.2023	D	11:00 AM

Inter Zonal league matches will be played at Kurukshetra University, Kurukshetra as per following schedule:

1.	A	VS	C	16.11.2023	02:00 PM
2.	B	VS	D	16.11.2023	03:00 PM
3.	A	VS	D	17.11.2023	09:00 AM
4.	B	VS	C	17.11.2023	10:00 AM
5.	A	VS	B	17.11.2023	01:00 PM
6.	D	VS	C	17.11.2023	02:00 PM

Trials for the selection of K.U, Badminton (M) team will be held at Kurukshetra University, Kurukshetra on 17.11.2023 from 03:00 PM. onwards.

Note: Teams must be accompanied by Managers along with player's eligibility particulars, Identity Cards, authority letter, copies of Matric and D.M.C. of 10+2 duly attested by the Principal. The team shall not be allowed to participate without above said documents. In case of any protest during the tournament against any player (s)/Team (s) of a College, the Org. Secy. of the Tournament will arrange a photograph of the Player (s)/Team (s), in addition to other procedure to be followed. Org. Secy. is authorized to change the timing (s) of the match (es), if needed in view of local situation. Contact for accommodation Mr. Ramesh Kumar (Wrestling Coach) Mob. No. 9416833605.


Director, Phys. Edu. & Sports
& Secretary, KUSC

Endst. No. 2112

Date 16/10/23

Copy of the overleaf fixtures forwarded to the following for kind information/necessary action:

1. Principals of the Colleges concerned.
2. President, Kurukshetra University Sports Council
3. Members of K.U. Badminton (Men) Club Committee
4. Director, Public Relations, KUK